



ACCLAIM LED PLE



The Strand Acclaim LED Profile Light Engine (PLE) brings the innovation that made Acclaim ellipsoidals an industry standard for a generation in a full color LED light engine that works with Strand SPX lenses. This 500W/650W-equivalent profile light engine is perfect for small to medium theatres, houses of worship, and education environments, and offers exceptional output with consistent color mixing to the Acclaim LED Zoomspot for applications where a longer throw or wider spread is needed.

Because the Acclaim LED PLE works with the industry-standard SPX lens system, the wide range of beam angles available ensures there is lens for any application. With the onboard four-blade manual shutter system, the Acclaim PLE offers superior control to shape the light how you want it. Thanks to the optional size B metal gobo holder, designers can project depth and texture on stage, using the angle adjustment and manual focus to get the look just right. For applications where a low trim height is a challenge, the adjustable yoke allows the fixture to be positioned closer to the suspension point to give more headroom. The Acclaim LED PLE is available in black or white.





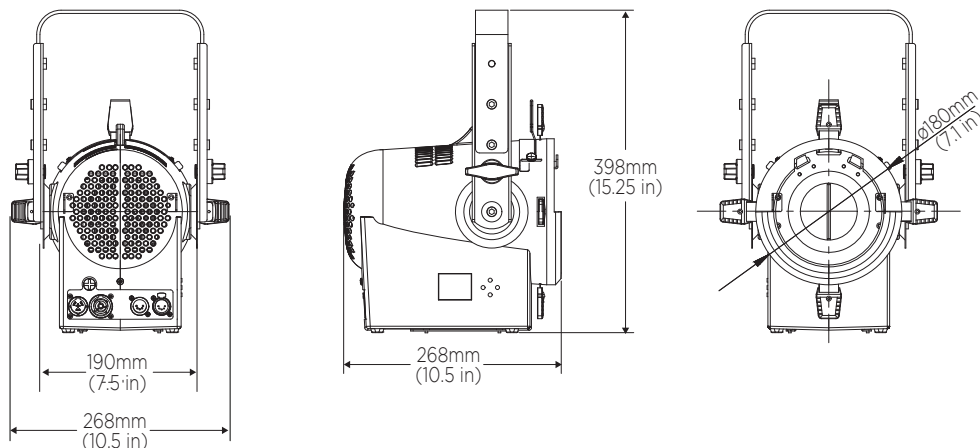
ACCLAIM LED PLE

FEATURES AND BENEFITS

- **500W/650W-equivalent LED profile engine from Strand** - cost-effective profile from the original name in theatrical lighting
- **Supports Strand SPX lens system** - works perfectly with industry-standard lens system with a wide range of available beam angles
- **Four-blade manual shutter system** - superior control to position light exactly where you need it
- **Optional angle-adjusting size B metal gobo holder** - add depth and texture using industry-standard gobos. Easily adjust gobo angle within holder to get the perfect look.
- **Integrated manual focus** - achieve a perfect, clear gobo or a nice soft edge
- **Adjustable yoke** - mount fixture where you want it even when headroom is limited
- **Custom LED light source and RGBL color mixing system** - consistent output and color mixing with the entire Acclaim LED Series
- **Available in black or white** - the perfect body color for your

LIMITED WARRANTY

Every Strand product is backed by a minimum 2-year limited warranty against manufacturing defects and workmanship. Refer to the Strand Limited Warranty Card available at www.strandlighting.com/global/support/warranty for more details.





ACCLAIM LED PLE

SOURCE

Type	LED
Color	RGBL
Wattage	150W
Frequency adjustment	500Hz to 4000Hz (Default 1500Hz)

OPTICAL PERFORMANCE

Output lumens, max	8500 (engine only)		
Light quality	7100K/RGBL (FULL ON)	5600K / RGBL	3200K / RGBL
CRI (RA)	85	84	84
TM30 Rf	77	78	79
TM30 Rg	102	109	114
CQS	92	92	92
TLCI	73	73	70

BEAM

Fixed lens tube options	SPX Series* - 14°, 19°, 26°, 36°, 50° PLT series** - 5° 10°, 14°, 19°, 26°, 36°, 50°, 70°
Zoom lens tube options	SPX Series* - 15°-35°, 25°-50°
Framing system	4 blade manual framing shutters
Gobo gate	B size (holder optional accessory)
	*LED and lamped sources ** Made for LED

COLOR

Color mixing type	RGBL
-------------------	------

COOLING SYSTEM

Type	Forced air	
Fan control, default	Auto ramping (default) Continuous spin (on)	
Fixture output modes	Standard*	42.8 dBa
	Studio*	35.5 dBa
	Whisper*	33.21 dBa



*Maximum dBa level @ 1m (Fan On); base level 21 dBa

POWER

Range	100-240 VAC
Power connector	Twist lock black and yellow; In + Thru
Max wattage	170W
Standby wattage	8.8W



ACCLAIM LED PLE

DATA		
Control protocols	DMX (RDM)	
Data connections	5-pin XLR In/Thru	
Control modes	8-bit - (8 channels) 16-bit - (11 channels)	
PHYSICALS		
Body color options	Black, white	
ENVIRONMENT		
	°C	°F
Operating temperature range	-10 to 40	14 to 104
Ingress protection rating	IP20	
DIMENSIONS (H x W x D)		
	mm	in
Fixture only	283 x 190 x 268	11 x 7.5 x 10.5
Fixture + yoke	398 x 268 x 268	15.25 x 10.5 x 10.5
WEIGHT		
	kg	lb
Fixture only	6	13.25
APPROBATION		
Listings	ETL (UL & CSA)CB/IECEE Scheme for CE-LVD, FCC, ICES, RCM, CE-EMC, UKCA, RoHS, ISO 9001	 

PRODUCT NAME	ORDER CODE
Acclaim LED PLE with power connector, black body	64511-003
Acclaim LED PLE with power connector, white body*	64511-103

*white option by special order only

ACCESSORIES	ORDER CODE
Acclaim LED Zoomspot/PLE B Size gobo holder	64511-012
Acclaim LED Zoomspot/PLE 16 leaf iris	64511-013

ZOOM LENS TUBES	ORDER CODE
15°-35° Zoomspot Lens Tube Only	SPX1535LT
25°-50° Zoomspot Lens Tube Only	SPX2550LT



ACCLAIM LED PLE

PLT FOR LED FIXED ANGLE LENS TUBES*	ORDER CODE	PLT FOR LED FIXED ANGLE LENS TUBES*	ORDER CODE
Strand PLT 5° Lens Tube Black	64010-001	Strand PLT 26° Lens Tube Black	64010-005
Strand PLT 5° Lens Tube White	64010-101	Strand PLT 26° Lens Tube White	64010-105
Strand PLT 10° Lens Tube Black	64010-002	Strand PLT 36° Lens Tube Black	64010-006
Strand PLT 10° Lens Tube White	64010-102	Strand PLT 36° Lens Tube White	64010-106
Strand PLT 14° Lens Tube Black	64010-003	Strand PLT 50° Lens Tube Black	64010-007
Strand PLT 14° Lens Tube White	64010-103	Strand PLT 50° Lens Tube White	64010-107
Strand PLT 19° Lens Tube Black	64010-004	Strand PLT 70° Lens Tube Black	64010-008
Strand PLT 19° Lens Tube White	64010-104	Strand PLT 70° Lens Tube White	64010-108

LENS TUBE ADAPTORS	ORDER CODE
Strand PLT Universal lens holder Black (Made for LED)*	64010-012
Strand PLT Universal lens holder White (Made for LED)*	64010-112
Universal Tube Adaptor for SPX LED, LEKO LED, and PL4 LED Light Engines	PLPF4ULTA

SPX FIXED ANGLE LENS TUBES	ORDER CODE
SPX 14° Lens Tube	SPX14LT**
SPX 19° Lens Tube	SPX19LT**
SPX 26° Lens Tube	SPX26LT**
SPX 36° Lens Tube	SPX36LT**
SPX 50° Lens Tube	SPX50LT**

*Available Fall 2021

**White option available by special request



ACCLAIM LED PLE

PHOTOMETRIC DATA (CALIBRATION ON)

For full photometric reports, visit the [product page](#) on our website.

SPX SERIES 15-35° ZOOM LENS

NARROW ZOOM - 15°

LED TYPE	CANDELA	FIELD LUMENS	BEAM LUMENS	CRI(RA)
7100K / RGBL (full on)	46,359	8,415	4,645	84
3200K / RGBL	45,708	7,847	4,564	84
5600K / RGBL	44,779	7,879	4,492	85

7100K (FULL ON)

Throw Distance	ft	10.0	15.0	20.0	30.0
	m	3.0	4.6	6.1	9.1
Field Diameter	ft	3.3	4.6	5.6	7.9
	m	1.0	1.5	1.4	2.4
Illuminance	fc	464	197	112	50
	lux	4,990	2,122	1207	542

3200K

Throw Distance	ft	10.0	15.0	20.0	30.0
	m	3.0	4.6	6.1	9.1
Field Diameter	ft	3.3	4.6	5.6	7.9
	m	1.0	1.5	1.4	2.4
Illuminance	fc	457	194	111	50
	lux	4,920	2,093	119	535

5600K

Throw Distance	ft	10.0	15.0	20.0	30.0
	m	3.0	4.6	6.1	9.1
Field Diameter	ft	3.3	4.6	5.6	7.9
	m	1.0	1.5	1.4	2.4
Illuminance	fc	448	191	108	49
	lux	4,820	2,050	1166	524



ACCLAIM LED PLE

SPX SERIES 15-35° ZOOM LENS

MID ZOOM - 25.5°

LED TYPE	CANDELA	FIELD LUMENS	BEAM LUMENS	CRI(RA)
7100K / RGBL (full on)	16,351	8,415	4,325	84
3200K / RGBL	15,794	7,847	4,363	84
5600K / RGBL	17,280	7,879	4,250	85

7100K (FULL ON)

Throw Distance	ft	10.0	15.0	20.0	30.0
	m	3.0	4.6	6.1	9.1
Field Diameter	ft	4.3	6.6	8.6	12.9
	m	1.3	2.0	2.6	3.9
Illuminance	fc	164	70	40	48
	lux	1,760	749	426	191

3200K

Throw Distance	ft	10.0	15.0	20.0	30.0
	m	3.0	4.6	6.1	9.1
Field Diameter	ft	4.3	6.6	8.6	12.9
	m	1.3	2.0	2.6	3.9
Illuminance	fc	158	67	38	17
	lux	1,700	723	411	185

5600K

Throw Distance	ft	10.0	15.0	20.0	30.0
	m	3.0	4.6	6.1	9.1
Field Diameter	ft	4.3	6.6	8.6	12.9
	m	1.3	2.0	2.6	3.9
Illuminance	fc	173	74	42	19
	lux	1,860	791	450	202



ACCLAIM LED PLE

SPX SERIES 15-35° ZOOM LENS

WIDE ZOOM - 35°

LED TYPE	CANDELA	FIELD LUMENS	BEAM LUMENS	CRI(RA)
7100K / RGBL (full on)	19,788	8,415	4,291	84
3200K / RGBL	19,510	7,847	4,202	84
5600K / RGBL	19,788	1,779	4,144	85

7100K (FULL ON)

Throw Distance	ft	10.0	15.0	20.0	30.0
	m	3.0	4.6	6.1	9.1
Field Diameter	ft	6.2	9.5	12.7	18.9
	m	1.9	2.9	3.9	5.8
Illuminance	fc	198	85	45	23
	lux	2,130	913	489	525

3200K

Throw Distance	ft	10.0	15.0	20.0	30.0
	m	3.0	4.6	6.1	9.1
Field Diameter	ft	6.2	9.5	12.7	18.9
	m	1.9	2.9	3.9	5.8
Illuminance	fc	195	83	47	21
	lux	2,100	893	508	228

5600K

Throw Distance	ft	10.0	15.0	20.0	30.0
	m	3.0	4.6	6.1	9.1
Field Diameter	ft	6.2	9.5	12.7	18.9
	m	1.9	2.9	3.9	5.8
Illuminance	fc	198	85	45	23
	lux	2,130	913	489	252



ACCLAIM LED PLE

SPX SERIES 25-50° ZOOM LENS

NARROW ZOOM - 25°

LED TYPE	CANDELA	FIELD LUMENS	BEAM LUMENS	CRI(RA)
7100K / RGBL (full on)	32,330	8,415	4,804	84
3200K / RGBL	31,308	7,847	4,721	84
5600K / RGBL	32,144	7,879	4,682	85

7100K (FULL ON)

Throw Distance	ft	10.0	15.0	20.0	30.0
	m	3.0	4.6	6.1	9.1
Field Diameter	ft	4.3	6.6	8.9	13.4
	m	1.3	2.0	2.7	4.1
Illuminance	fc	323	142	80	37
	lux	3,438	1,530	857	396

3200K

Throw Distance	ft	10.0	15.0	20.0	30.0
	m	3.0	4.6	6.1	9.1
Field Diameter	ft	4.3	6.6	8.9	13.4
	m	1.3	2.0	2.7	4.1
Illuminance	fc	313	133	76	34
	lux	3,370	1,433	815	366

5600K

Throw Distance	ft	10.0	15.0	20.0	30.0
	m	3.0	4.6	6.1	9.1
Field Diameter	ft	4.3	6.6	8.9	13.4
	m	1.3	2.0	2.7	4.1
Illuminance	fc	322	137	78	35
	lux	3,460	1,472	837	376



ACCLAIM LED PLE

SPX SERIES 25-50° ZOOM LENS

MID ZOOM - 35.5°

LED TYPE	CANDELA	FIELD LUMENS	BEAM LUMENS	CRI(RA)
7100K / RGBL (full on)	7,897	8,415	4,491	84
3200K / RGBL	8,138	7,847	4,310	84
5600K / RGBL	3,083	7,879	4,320	85

7100K (FULL ON)

Throw Distance	ft	10.0	15.0	20.0	30.0
	m	3.0	4.6	6.1	9.1
Field Diameter	ft	6.8	10.3	13.0	20.5
	m	2.1	3.1	4.2	6.3
Illuminance	fc	163	70	41	22
	lux	1,750	754	443	233

3200K

Throw Distance	ft	10.0	15.0	20.0	30.0
	m	3.0	4.6	6.1	9.1
Field Diameter	ft	6.8	10.3	13.0	20.5
	m	2.1	3.1	4.2	6.3
Illuminance	fc	148	63	36	16
	lux	1,590	676	385	173

5600K

Throw Distance	ft	10.0	15.0	20.0	30.0
	m	3.0	4.6	6.1	9.1
Field Diameter	ft	6.8	10.3	13.0	20.5
	m	2.1	3.1	4.2	6.3
Illuminance	fc	151	64	37	16
	lux	1,630	693	394	177



ACCLAIM LED PLE

SPX SERIES 25-50° ZOOM LENS

WIDE ZOOM - 50°

LED TYPE		CANDELA	FIELD LUMENS	BEAM LUMENS	CRI(RA)
7100K / RGBL (full on)					84
3200K / RGBL					84
5600K / RGBL					85
7100K (FULL ON)					
Throw Distance	ft	10.0	15.0	20.0	30.0
	m	3.0	4.6	6.1	9.1
Field Diameter	ft	9.0	13.5	17.9	26.9
	m	2.7	4.1	5.5	8.2
Illuminance	fc	79	34	19	9
	lux	850	362	206	92
3200K					
Throw Distance	ft	10.0	15.0	20.0	30.0
	m	3.0	4.6	6.1	9.1
Field Diameter	ft	9.0	13.5	17.9	26.9
	m	2.7	4.1	5.5	8.2
Illuminance	fc	81	35	20	9
	lux	879	373	212	95
5600K					
Throw Distance	ft	10.0	15.0	20.0	30.0
	m	3.0	4.6	6.1	9.1
Field Diameter	ft	9.0	13.5	17.9	26.9
	m	2.7	4.1	5.5	8.2
Illuminance	fc	81	34	20	9
	lux	870	370	210	95



ACCLAIM LED PLE

PLT SERIES 5° FIXED LENS

LED TYPE	CANDELA	FIELD LUMENS	BEAM LUMENS	CRI(RA)
7100K / RGBL (full on)	1,272,772	8,415	4,596	85
3200K / RGBL	975,482	7,847	4,488	80
5600K / RGBL	1,086,965	7,879	4,527	83

7100K (FULL ON)					
Throw Distance	ft	10.0	15.0	20.0	30.0
	m	3.0	4.6	6.1	9.1
Field Diameter	ft	0.7	1.3	1.7	2.7
	m	0.2	0.4	0.5	0.8
Illuminance	fc	12732	4312	2537	916
	lux	13,700	46,400	27300	9860

3200K					
Throw Distance	ft	10.0	15.0	20.0	30.0
	m	3.0	4.6	6.1	9.1
Field Diameter	ft	0.7	1.3	1.7	2.7
	m	0.2	0.4	0.5	0.8
Illuminance	fc	9758	4151	2360	1061
	lux	105,000	44,660	25396	11412

5600K					
Throw Distance	ft	10.0	15.0	20.0	30.0
	m	3.0	4.6	6.1	9.1
Field Diameter	ft	0.7	1.3	1.7	2.7
	m	0.2	0.4	0.5	0.8
Illuminance	fc	10874	4625	2630	1182
	lux	117,000	49,764	28299	12716



ACCLAIM LED PLE

PLT SERIES 10° FIXED LENS

LED TYPE		CANDELA	FIELD LUMENS	BEAM LUMENS	CRI(RA)
7100K / RGBL (full on)		468,231	8,415	3,264	85
3200K / RGBL		436,644	7,847	3,087	80
5600K / RGBL		460,799	7,879	3,152	82
7100K (FULL ON)					
Throw Distance	ft	10.0	15.0	20.0	30.0
	m	3.0	4.6	6.1	9.1
Field Diameter	ft	1.4	2.3	3.0	4.6
	m	0.4	0.7	0.9	1.4
Illuminance	fc	4684	1992	1132	509
	lux	50,400	21,436	12190	5477
3200K					
Throw Distance	ft	10.0	15.0	20.0	30.0
	m	3.0	4.6	6.1	9.1
Field Diameter	ft	1.4	2.3	3.0	4.6
	m	0.4	0.7	0.9	1.4
Illuminance	fc	4368	1858	1056	475
	lux	47,000	19,991	11368	5108
5600K					
Throw Distance	ft	10.0	15.0	20.0	30.0
	m	3.0	4.6	6.1	9.1
Field Diameter	ft	1.4	2.3	3.0	4.6
	m	0.4	0.7	0.9	1.4
Illuminance	fc	4610	1961	1115	501
	lux	49,600	21,096	11997	5391



ACCLAIM LED PLE

PLT SERIES 14° FIXED LENS

LED TYPE		CANDELA	FIELD LUMENS	BEAM LUMENS	CRI(RA)
7100K / RGBL (full on)		178,374	8,415	4,671	84
3200K / RGBL		148,645	7,874	4,610	83
5600K / RGBL		140,436	7,879	4,589	85
7100K (FULL ON)					
Throw Distance	ft	10.0	15.0	20.0	30.0
	m	3.0	4.6	6.1	9.1
Field Diameter	ft	2.0	3.0	4.0	6.2
	m	0.6	0.9	1.3	1.9
Illuminance	fc	1766	770	421	187
	lux	19,200	8,260	4530	2010
3200K					
Throw Distance	ft	10.0	15.0	20.0	30.0
	m	3.0	4.6	6.1	9.1
Field Diameter	ft	2.0	3.0	4.0	6.2
	m	0.6	0.9	1.3	1.9
Illuminance	fc	1487	632	360	162
	lux	16,000	6,805	3870	1739
5600K					
Throw Distance	ft	10.0	15.0	20.0	30.0
	m	3.0	4.6	6.1	9.1
Field Diameter	ft	2.0	3.0	4.0	6.2
	m	0.6	0.9	1.3	1.9
Illuminance	fc	1506	640	364	164
	lux	16,200	6,890	3918	1761



ACCLAIM LED PLE

PLT SERIES 19° FIXED LENS

LED TYPE		CANDELA	FIELD LUMENS	BEAM LUMENS	CRI(RA)
7100K / RGBL (full on)		78,503	8,415	4,997	84
3200K / RGBL		73,672	7,847	4,956	52
5600K / RGBL		75,530	7,879	4,919	85
7100K (FULL ON)					
Throw Distance	ft	10.0	15.0	20.0	30.0
	m	3.0	4.6	6.1	9.1
Field Diameter	ft	2.6	4.3	5.5	8.2
	m	0.8	1.3	1.7	2.5
Illuminance	fc	785	334	190	85
	lux	8,450	3,594	2044	918
3200K					
Throw Distance	ft	10.0	15.0	20.0	30.0
	m	3.0	4.6	6.1	9.1
Field Diameter	ft	2.6	4.3	5.5	8.2
	m	0.8	1.3	1.7	2.5
Illuminance	fc	737	313	178	80
	lux	7,930	3,373	1918	862
5600K					
Throw Distance	ft	10.0	15.0	20.0	30.0
	m	3.0	4.6	6.1	9.1
Field Diameter	ft	2.6	4.3	5.5	8.2
	m	0.8	1.3	1.7	2.5
Illuminance	fc	756	321	183	82
	lux	8,130	3,458	1966	884



ACCLAIM LED PLE

PLT SERIES 26° FIXED LENS

LED TYPE	CANDELA	FIELD LUMENS	BEAM LUMENS	CRI(RA)
7100K / RGBL (full on)	37,625	8,415	4,937	80
3200K / RGBL	37,161	7,847	4,817	83
5600K / RGBL	36,046	1,879	4,877	85

7100K (FULL ON)					
Throw Distance	ft	10.0	15.0	20.0	30.0
	m	3.0	4.6	6.1	9.1
Field Diameter	ft	3.8	5.8	7.6	11.4
	m	1.2	1.8	2.3	3.5
Illuminance	fc	376	160	91	41
	lux	4,050	1,723	980	440

3200K					
Throw Distance	ft	10.0	15.0	20.0	30.0
	m	3.0	4.6	6.1	9.1
Field Diameter	ft	3.8	5.8	7.6	11.4
	m	1.2	1.8	2.3	3.5
Illuminance	fc	372	158	90	40
	lux	4,000	1,701	967	435

5600K					
Throw Distance	ft	10.0	15.0	20.0	30.0
	m	3.0	4.6	6.1	9.1
Field Diameter	ft	3.8	5.8	7.6	11.4
	m	1.2	1.8	2.3	3.5
Illuminance	fc	361	153	87	39
	lux	3,880	1,650	938	422



ACCLAIM LED PLE

PLT SERIES 36° FIXED LENS

LED TYPE		CANDELA	FIELD LUMENS	BEAM LUMENS	CRI(RA)
7100K / RGBL (full on)		27,871	8,415	4,996	80
3200K / RGBL		24,155	7,847	4,989	83
5600K / RGBL		25,084	7,879	4,969	83
7100K (FULL ON)					
Throw Distance	ft	10.0	15.0	20.0	30.0
	m	3.0	4.6	6.1	9.1
Field Diameter	ft	5.1	8.2	11.2	15.4
	m	1.6	2.5	3.4	4.7
Illuminance	fc	279	115	69	37
	lux	3,000	1,210	742	393
3200K					
Throw Distance	ft	10.0	15.0	20.0	30.0
	m	3.0	4.6	6.1	9.1
Field Diameter	ft	5.1	8.2	11.2	15.4
	m	1.6	2.5	3.4	4.7
Illuminance	fc	242	103	58	26
	lux	2,600	1,106	629	283
5600K					
Throw Distance	ft	10.0	15.0	20.0	30.0
	m	3.0	4.6	6.1	9.1
Field Diameter	ft	5.1	8.2	11.2	15.4
	m	1.6	2.5	3.4	4.7
Illuminance	fc	251	107	61	27
	lux	2,700	1,148	653	293



ACCLAIM LED PLE

PLT SERIES 50° FIXED LENS

LED TYPE	CANDELA	FIELD LUMENS	BEAM LUMENS	CRI(RA)
7100K / RGBL (full on)	13,564	8,415	4,779	84
3200K / RGBL	12,728	7,847	4,667	84
5600K / RGBL	13,006	7,879	4,756	85

7100K (FULL ON)					
Throw Distance	ft	10.0	15.0	20.0	30.0
	m	3.0	4.6	6.1	9.1
Field Diameter	ft	7.1	11.2	14.2	21.2
	m	2.2	3.4	4.3	6.5
Illuminance	fc	136	58	33	15
	lux	1,460	621	353	159

3200K					
Throw Distance	ft	10.0	15.0	20.0	30.0
	m	3.0	4.6	6.1	9.1
Field Diameter	ft	7.1	11.2	14.2	21.2
	m	2.2	3.4	4.3	6.5
Illuminance	fc	127	54	31	14
	lux	1,370	583	331	149

5600K					
Throw Distance	ft	10.0	15.0	20.0	30.0
	m	3.0	4.6	6.1	9.1
Field Diameter	ft	7.1	11.2	14.2	21.2
	m	2.2	3.4	4.3	6.5
Illuminance	fc	130	55	31	14
	lux	1,400	595	339	152



ACCLAIM LED PLE

PLT SERIES 70° FIXED LENS

LED TYPE	CANDELA	FIELD LUMENS	BEAM LUMENS	CRI(RA)
7100K / RGBL (full on)	7,488	8,415	4,750	34
3200K / RGBL	7,311	7,847	4,766	83
5600K / RGBL	7,785	7,879	4,701	85

7100K (FULL ON)					
Throw Distance	ft	10.0	15.0	20.0	30.0
	m	3.0	4.6	6.1	9.1
Field Diameter	ft	10.8	16.9	21.5	31.8
	m	3.3	5.2	6.5	9.7
Illuminance	fc	75	36	25	16
	lux	806	392	271	148

3200K					
Throw Distance	ft	10.0	15.0	20.0	30.0
	m	3.0	4.6	6.1	9.1
Field Diameter	ft	10.8	16.9	21.5	31.8
	m	3.3	5.2	6.5	9.7
Illuminance	fc	73	31	18	8
	lux	787	335	190	86

5600K					
Throw Distance	ft	10.0	15.0	20.0	30.0
	m	3.0	4.6	6.1	9.1
Field Diameter	ft	10.8	16.9	21.5	31.8
	m	3.3	5.2	6.5	9.7
Illuminance	fc	78	33	19	8
	lux	838	356	203	91